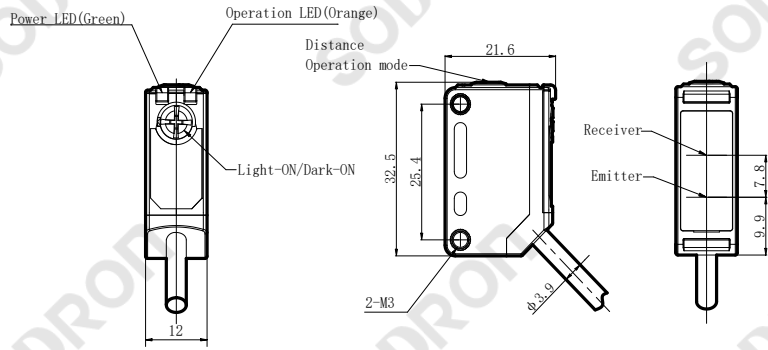




Dimensions



Model

PF31V-B15BNSX-E
PF31V-B15BPSX-E

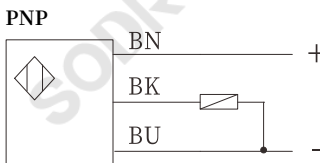
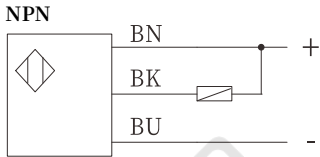
Technical parameters

Detection method	Adjustable Distance Reflective Type	
Model	NPN PF31V-B15BNSX-E PNP PF31V-B15BPSX-E	
Sensing distance	10 ~ 150mm	
Standard target	White paper 100*100mm	
Reflectivity characteristic	10% of set distance max	
Output mode	Light ON/Dark ON adjustable	
Light source	Red LED:620nm	
Supply power	DC 12~ 24V ±10% impulse(P-P) < 10%(DC10-30V)	
Residual voltage	2V max(Load current ≤ 100mA)	
Current consumption	< 25mA	
Load current	≤ 100mA	
Circuit protection	Reverse connection protection, Short circuit protection	
Response time	< 1ms	
Distance setting	5-turned endless adjuster	
Indicator light	Output: Orange LED Stable: Green LED	
Connection	Cable 2m	
Ambient temperature	Work: -25 ~ +55°C; Store: -30 ~ +70°C (No dew condensation or icing allowed)	
Ambient humidity	Work: 35 ~ 85%RH, Store: 35 ~ 95%RH, (No dew condensation)	
Ambient illumination	Sunlight: 10,000Lx; lamplight: 3,000Lx	
Withstand Voltage	AC1000V, 50/60Hz, 1min, between current-carrying parts and case	
Insulation resistance	> 20MΩ (DC500V megger) between current-carrying parts and case	
Anti-vibration	10~55Hz double-amplitude 1.5mmX,Y,Z 2h	
Impact resistance	500m/s² X,Y,Z, directions for 3 times	
Protection degree	IEC IP65	
Material	Housing	PBT
	Lens	PMMA

Product features

- With background suppression function
- Red light line spot sensor

Connection



Product Spot Dimension Drawing

